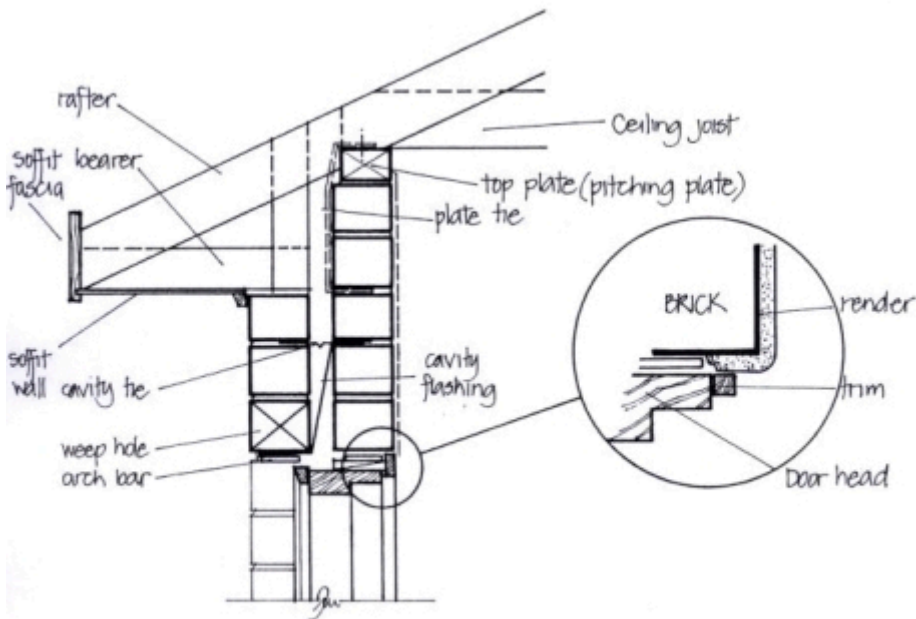
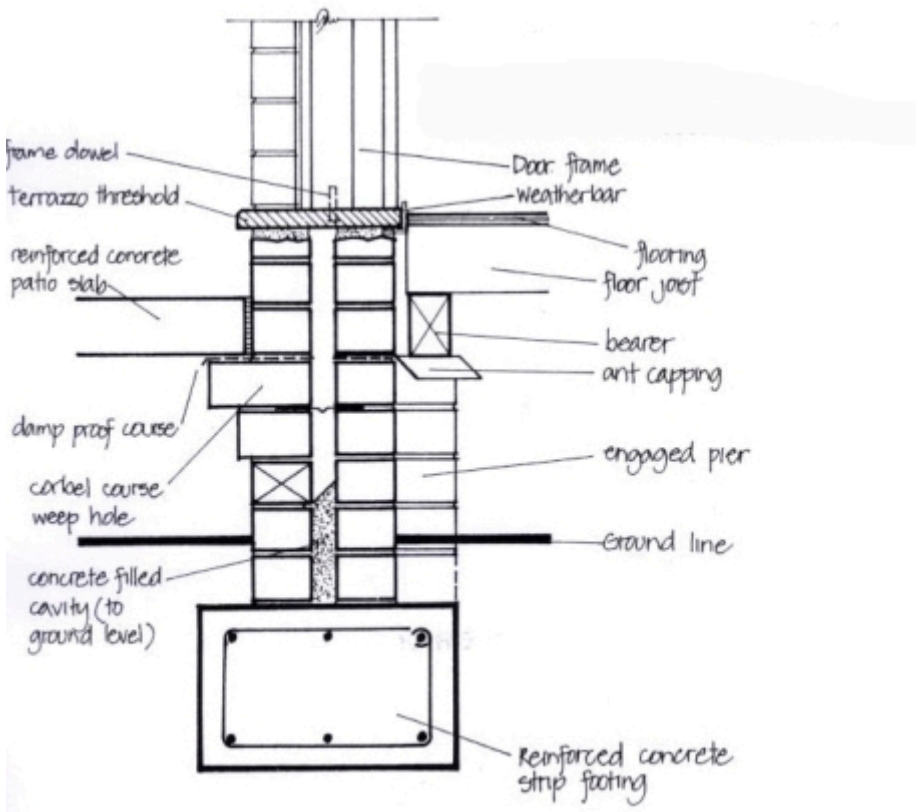


DOUBLE BRICK, BRICK AND BLOCK WALLS



TYPICAL OLD-STYLE BRICK & BLOCK WALL SECTION AT WINDOW OPENING



ROTTING BRICKMOULD (WINDOW WAS MOUNTED INTO OPENING IN PHOTO ABOVE)



TRADITIONAL DOUBLE BRICK CAVITY WALL, SHOWING DOOR FRAME INSTALLATION